



The New IP Matrix Range

IP-LL001IR-3MP IP 3MP IR Camera

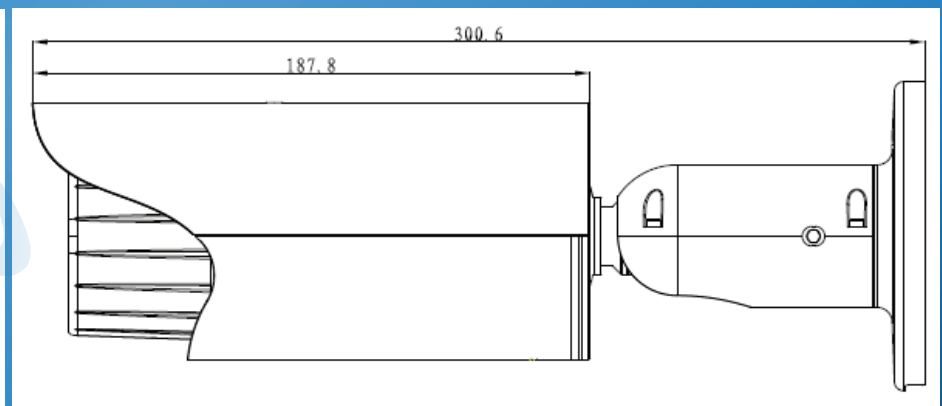
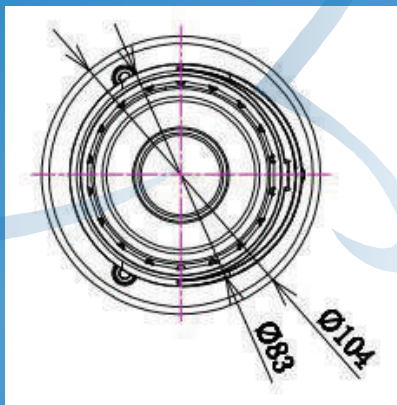
Main Features Include:

- 1/3" 3Megapixel progressive scan Aptina CMOS
- H.264 & MJPEG dual-stream encoding
- Max 20fps @3M (2048 x 1536) & 25/30fps @1080P (1920 x 1080)
- DWDR, Day / Night (ICR), 3DNR, Auto Iris, AWB, AGC, BLC
- Multiple network monitoring: Web viewer, CMS (DSS / PSS) & DMSS
- 2.7 ~12mm varifocal lens
- Built-in 2 / 1 alarm in / out
- Max. IR LEDs length 30m
- Micro SD memory IP66
- PoE - Power over Ethernet

Specification may change without prior notice



Dimensions:





The New IP Matrix Range

IP-LL001IR-3MP IP 3MP IR Camera



Technical Data

| | | |
|----------|--|--|
| Camera | Image Sensor | 1/3" 3 Megapixel Aptina CMOS |
| | Effective Pixels | H 2048 x V 1536 |
| | Scanning System | Progressive |
| | Electronic Shutter Speed | Auto / Manual, 1/3 ~ 1/10000s |
| | Minimum Illumination | Colour: 0.01Lux / F1.4, 0Lux / F1.4 (IR on) |
| | S/N Ratio | More than 50dB |
| Features | Max. IR LEDs Length | 30m |
| | Day/Night | Auto (ICR) Colour B/W |
| | Backlight Compensation | BLC HLC DWDR |
| | White Balance | Auto Manual |
| | Gain Control | Auto Manual |
| | Noise Reduction | 3D |
| Lens | Privacy Masking | Up to 4 areas |
| | Focal Length | 2.7mm ~ 12mm |
| | Max Aperture | F1.4 |
| | Focus Control | Manual |
| | Angle of View | H: 82° Wide ~ 25° Tele |
| Video | Lens Type | Manual Auto Iris DC |
| | Mount Type | Board-in Type |
| | Compression | H.264 / MJPEG |
| | Resolution | 3M(2048 x 1536) / 1080P(1920 x 1080) / 720P(1280 x 720) / D1(704 x 576) / CIF(352 x 288) |
| | Frame Rate - Main Stream - Sub Stream | 3M(1~20fps) / 1080P/720P(1 ~ 25/30fps) D1/CIF(1 ~ 25/30fps) |
| Audio | Bit Rate | H.264: 32K ~ 8192Kbps |
| | Compression Interface | G.711a / G.711u / PCM 1/1 Channel In/Out |
| Network | Ethernet Protocol | RJ-45 (10/100Base-T) IPv4/IPv6, HTTP, HTTPS, SSL, TCP/IP, UDP, UPnP, ICMP, IGMP, SNMP, RTSP, RTP, SMTP, NTP, DHCP, DNS, PPPOE, DDNS, FTP, IP Filter, QoS, Bonjour |
| | Compatibility | ONVIF, PSIA, CGI |
| | Max. User Access | 20 users |
| | Smart Phone | iPhone, iPad, Android, Windows Phone |
| | Memory Slot | Micro SD, Max 64GB |
| Aux. | PIR Sensor Range & RS485 | N/A |
| | Alarm | 2/1 Channel In/Out |
| General | Power Supply | DC12V (AC24V optional), PoE (802.3af) |
| | Power Consumption | < 7W (-H: +W, Motorised lens: +2W, AC24V: +2W) |
| | Working Environment | -20°C ~ +60°C (H: -40°C ~ +60°C), Less than 95% RH |
| | Ingress Protection | IP66 |
| | Vandal Resistance | N/A |
| | Dimensions Weight | Φ104mm x 306.7mm 1.25kg |

